

Trade Terms	FOB Shenzhen / Guangzhou / Hongkong
Production Capacity	500,000PCS/Month
Payment	T/T, PayPal.
Delivery Time	3-7 working days for making sample. 10 to 15 working days for production.
Packing	Standard Export Cartons/Custom Cartons
Shipping	By sea, By air or by express delivery (DHL/UPS/FEDEX)
MOQ	500PCS
Place of Origin	Dongguan, Guangzhou, China
Certification	CE,FCC,ROHS,REACH,UKCA

## Product Features:

This RJ50 10P10C Female connector is very easy for soldering as it has 10 pins soldering board for either hands solder or automatic soldering machines to solder the RJ50 ethernet cables,

We are the custom Injection RJ12 RJ45 RJ48 RJ50 Female connectors supplier in China, we can provide custom options for our customer, this connector is with shield as well,

We offer also below items for our Network connectors

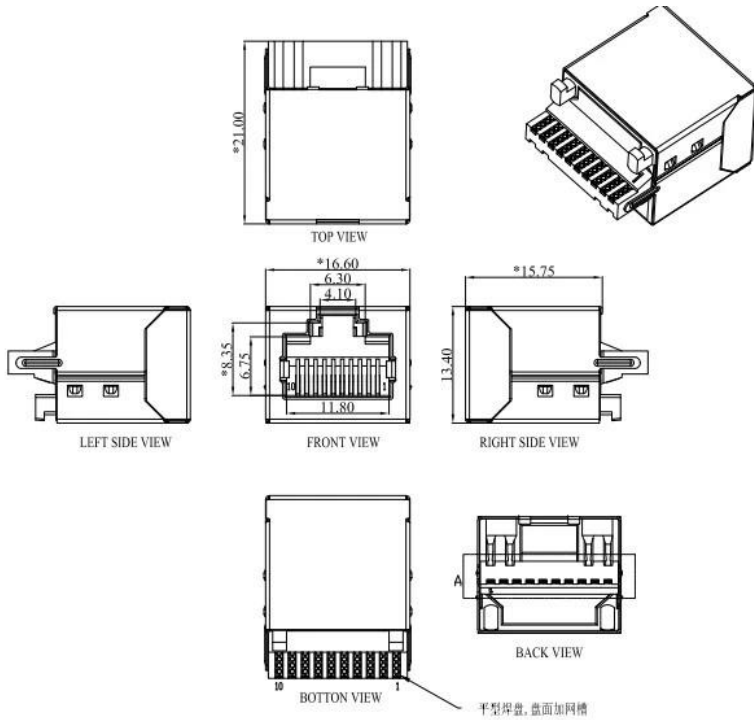
Soldering type RJ12 6P6C Female connectors

[Soldering type RJ45 8P8C Female connectors](#)

Soldering type RJ48 RJ50 10P10C Female connectors

SMT Type Network connectors, For more informations please feel free to contact with our Sales representative

We make also [Injection type RJ50 10P10C Cables](#) by a good price and high quality,



**NOTES**

**MATERIAL**

- 1.HOUSING : PBT UL94V-0
- 2.HOLDER : LCP UL94V-0
- 3.CONTACT : PHOSPHOR BRONZE T=0.25mm.
- 4.PLATING : CONTACT AREA-SELECTIVE GOLD PLATING,  
TAILS PLATING TIN 80u" MIN OVER NICKEL 50u" MIN.
- 5.SHIELD : 0.20mm THICKNESS COPPER ALLOY  
WITH NICKEL 30u" Min PLATED.

**ELECTRICAL**

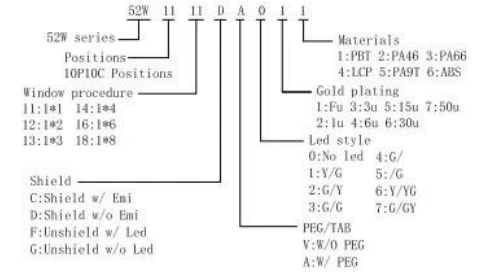
- 1.VOLTAGE RATING : 125 VAC RMS.
- 2.CURRENT RATING : 1.5 AMP.
- 3.CONTACT RESISTANCE : 30 MILLIOHMS MAX.
- 4.INSULATION RESISTANCE : 500 MEGOHMS MIN @ 500V DC .
- 5.DIELECTRIC RESISTANCE : 1000V AC RMS 50Hz. 1MIN.

**MECHANICAL**

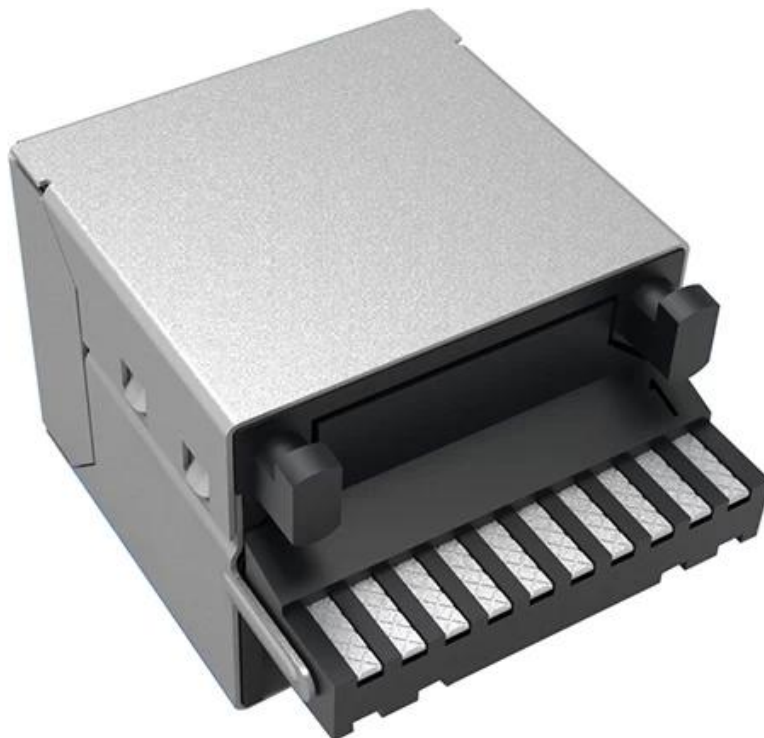
- 1.DURRABILITY : 750 CYCLES MIN.
- 2.PCB RETENTIONPRE-SOLDER : 1 LB MIN.

**ENVIRONMENTAL**

- 1.STORAGE : -40℃~+85℃.
- 2.OPERATION : -40℃~+85℃.







## **Sodering type Injection RJ50 10P10C Female [Connector](#) [Manufacturer Introduction](#)**

Goochain Technology Co.,Ltd is a professional custom cable assemblies manufacturer, manufacturing custom usb cables, Magnetic pogo pin cables manufacturer , Medical ecg cables , PoweredUSB extension Cables, Ethernet cables,Medical plugs and chargers,Wiring harnesses and computer cables , Founded in

year of 2015 and we have 2000 square meters custom cable assemblies workshop, around 80 workers, 1 shift is 8 hours per day. We followed international ISO management Standard to make our custom cables, medical cables and chargers with Chinese factory price .



## Certificates:

Goochain custom usb cables, Medical cables,computer cables,Pogo pin cables, USB Type c cables, USB Type C connectors,PD Fast chargers , PoweredUSB extension Cables all has passed the international required certificate so we can export all over the world,





## FAQ

### Q1: Can I start a sample order first before ordering more?

A: Sure, Goochain provide free samples if we have stock, sample customized should be charged some set up cost. We appreciate you to order sample from us to check our quality.

### Q2: What payment methods do you accept?

A: Alibaba Trade Assurance, PayPal, T/T, Bank Transfer, Western Union and L/C

### Q3: How does your factory do regarding quality control?

A: Quality is priority. QC department with professional quality assurance specialist attach great importance to quality controlling from the very beginning to the very end. Our factory has gained Rohs, SGS, CE FCC,ISO9001:2008 authentication. Etc

### Q4: Factory? Yes! Can I customize items I like, such as to print our own logo, or to alter the design?

A: Yes, we are a factory with more than 100 employees. We offer OEM/ODM service. Please contact us or our sales representative to check with the details.

### Q5: Delivery time and warranty? Which shipping service you will use for my goods?

A: Our lead time is around 2-4 weeks, and we can provide 12 months warranty since delivery. We used DHL,Fedex,UPS,TNT,EMS as customer like.

### Q6: Where is your factory located? How can I visit there?

A: Sure. We are more than happy to receive you in Dongguan and show you around our workplace. Our factory is located in 3rd. Floor,Building A, No.8 Kangyang 1st Street,Shebei Village,Huangjiang Town,Dongguan City,Guangdong, China.