

Trade Terms	FOB Shenzhen / Guangzhou / Hongkong
Production Capacity	500,000PCS/Month
Payment	T/T, PayPal.
Delivery Time	3-7 working days for making sample. 10 to 15 working days for production.
Packing	Standard Export Cartons/Custom Cartons
Shipping	By sea, By air or by express delivery (DHL/UPS/FEDEX)
MOQ	500PCS
Place of Origin	Dongguan, Guangzhou, China
Certification	CE,FCC,ROHS,REACH,UKCA

## Product Features:

90 Degree Right angle□This DB9 RS232 Serial Cable adopts a 90-degree right-angle design, to the wiring in various narrow spaces, making the wiring more flexible, which are more convenient to use.

Stable transmission Use 28AWG tinned copper core cable, multilayer shielding anti interference to ensure smooth signal transmission.

Wide Compatibility

DB9 has high compatibility, supports notebook/desktop computers, connects industrial instruments, industrial control machines, printers, set-top boxes, barcode machines and other equipment use.

High-Quality Material It is made of environmentally friendly PVC material, one-piece injection molding, nickel-plated interface connector, anti-oxidation and anti-rust, prolongs the service life, stable signal transmission.

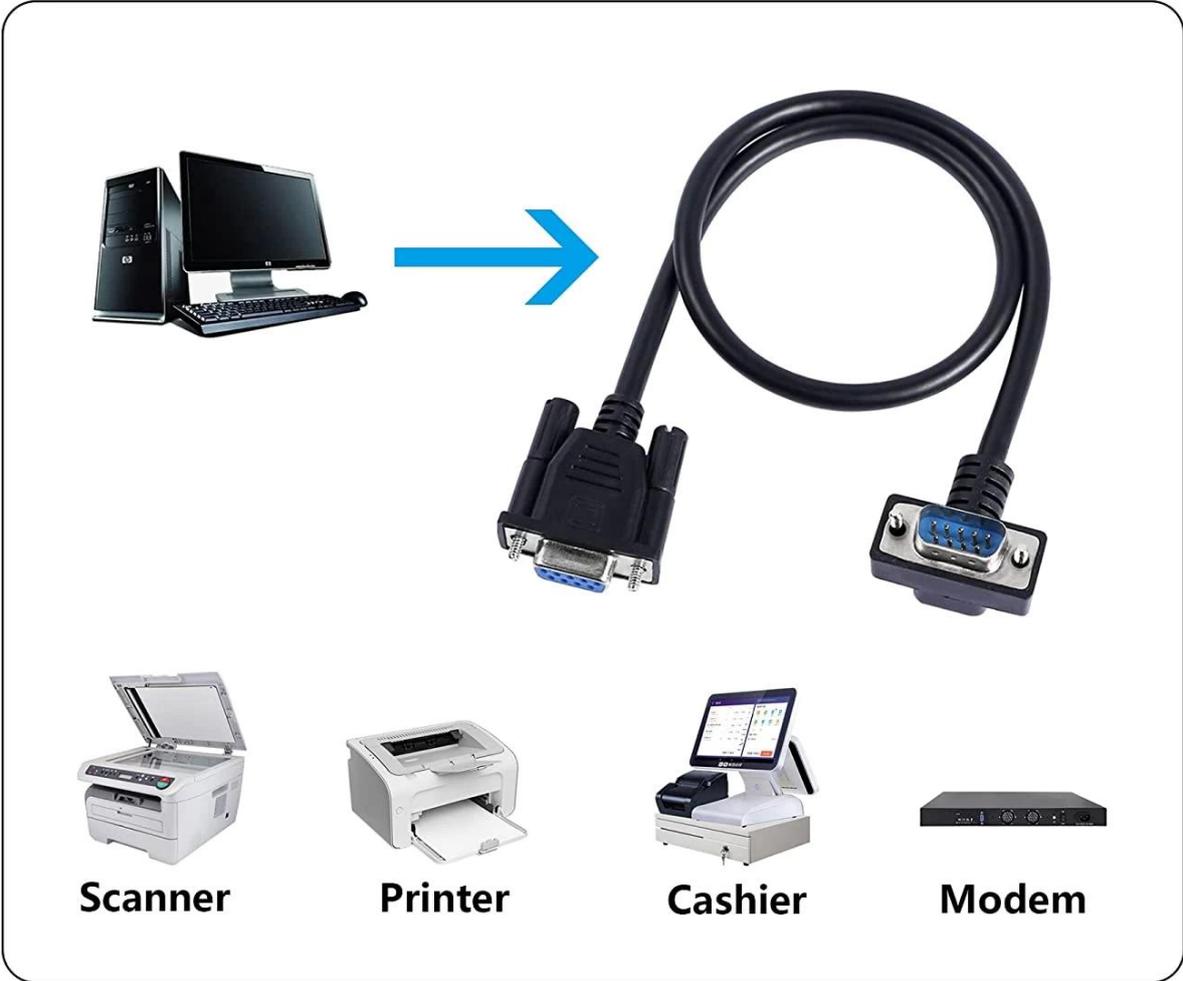
Plug and play

supports RS232 serial port protocol, Simple connection, no need to install drivers, Just plug it in and use it.

Besides of this angle we have also [left angle db9 cables](#),L shape RS232 DB9 Cable,Down angle DB9 Cables,Please feel free to contact with us if you have any inquire,

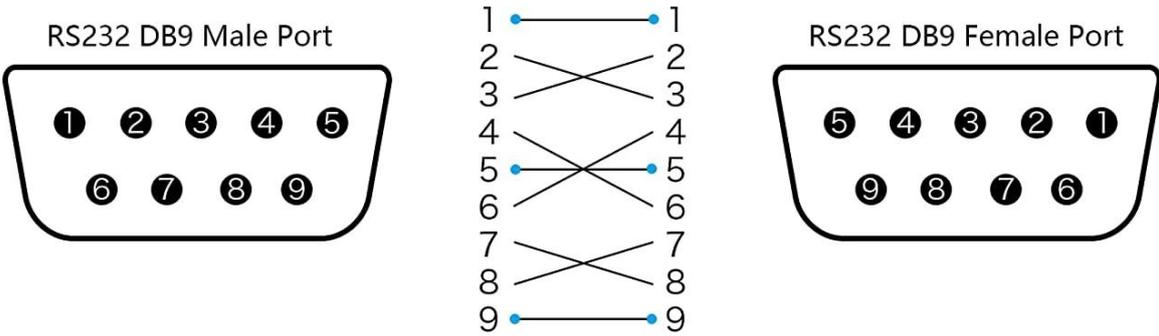


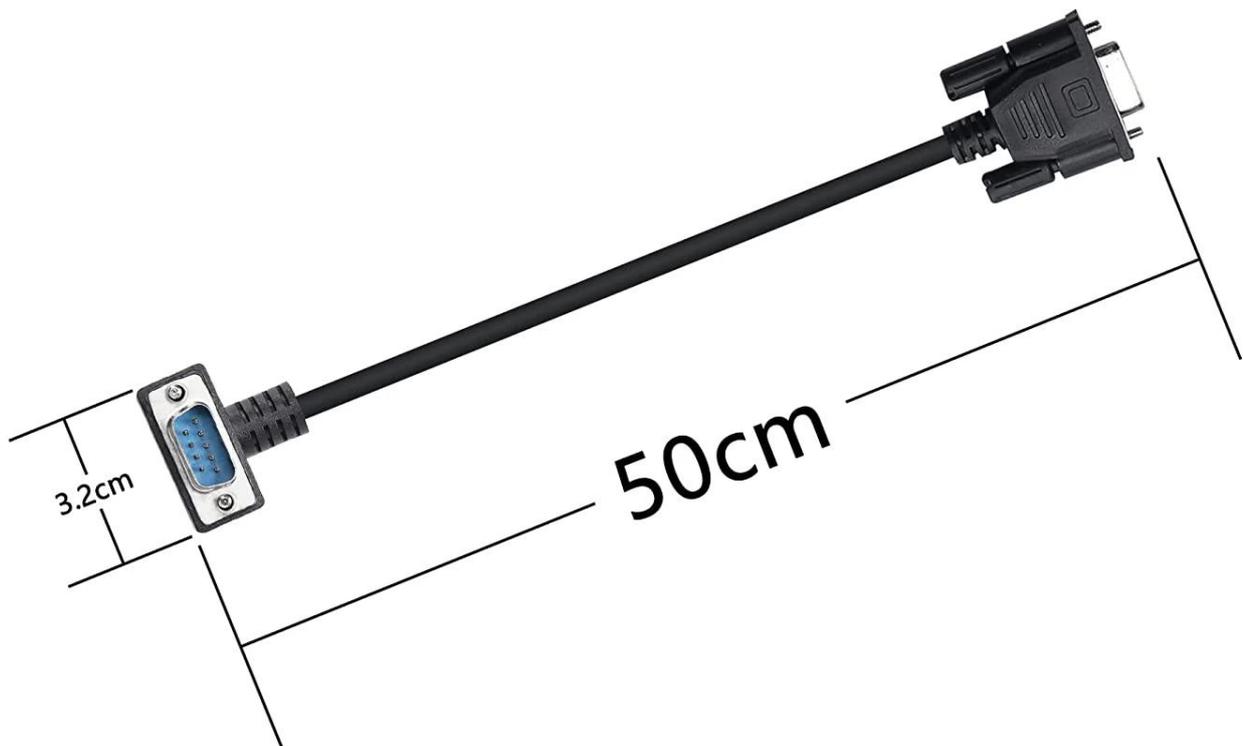
# For Computer Connecting a 9Pin Serial Device





**Full Handshaking Null Modem Cable**  
TX/RX,DTR/DSR,RTS/CTS line crosslinked





## Company Introduction

[Goochain Technology Co.,Ltd](#) is a professional custom cable assemblies manufacturer, manufacturing custom usb cables, Magnetic pogo pin cables manufacturer , Medical ecg cables , PoweredUSB extension Cables, Ethernet cables,Medical plugs and chargers,Wiring harnesses and computer cables , Founded in year of 2015 and we have 2000 square meters custom cable assemblies workshop, around 80 workers, 1 shift is 8 hours per day. We followed international ISO management Standard to make our custom cables, medical cables and chargers with Chinese factory price .



## Certificates:

Goochain custom usb cables, Medical cables, computer cables, Pogo pin cables, USB Type c cables, USB Type C connectors, PD Fast chargers, Powered USB extension Cables all has passed the international required certificate so we can export all over the world,



## FAQ

### Q1: Can I start a sample order first before ordering more?

A: Sure, Goochain provide free samples if we have stock, sample customized should be charged some set up cost. We appreciate you to order sample from us to check our quality.

### Q2: What payment methods do you accept?

A: Alibaba Trade Assurance, PayPal, T/T, Bank Transfer, Western Union and L/C

### Q3: How does your factory do regarding quality control?

A: Quality is priority. QC department with professional quality assurance specialist attach great importance to quality controlling from the very beginning to the very end. Our factory has gained Rohs, SGS, CE FCC,ISO9001:2008 authentication. Etc

### Q4: Factory? Yes! Can I customize items I like, such as to print our own logo, or to alter the design?

A: Yes, we are a factory with more than 100 employees. We offer OEM/ODM service. Please contact us or our sales representative to check with the details.

### Q5: Delivery time and warranty? Which shipping service you will use for my goods?

A: Our lead time is around 2-4 weeks, and we can provide 12 months warranty since delivery. We used DHL,Fedex,UPS,TNT,EMS as customer like.

### Q6: Where is your factory located? How can I visit there?

A: Sure. We are more than happy to receive you in Dongguan and show you around our workplace. Our factory is located in 3rd. Floor,Building A, No.8 Kangyang 1st Street,Shebei Village,Huangjiang Town,Dongguan City,Guangdong, China.